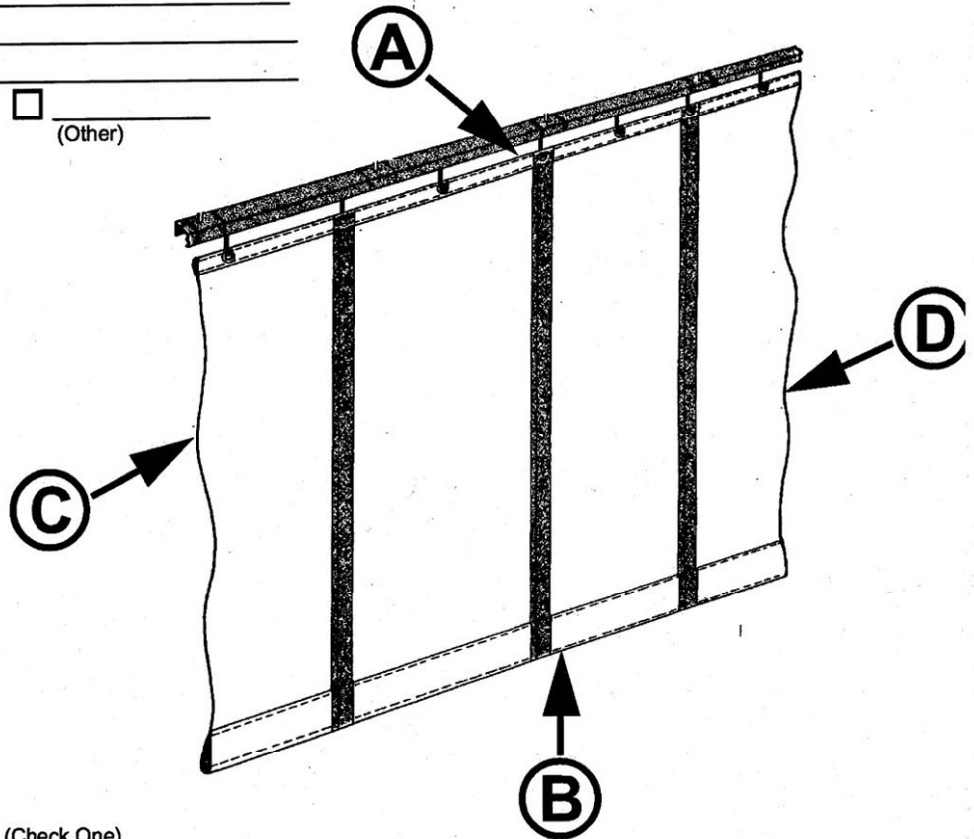


1. Measure Your Curtain.....

(Use A Separate Specification Sheet For Each Different Type Or Size Curtain)

Height **A to B** _____
Length **C to D** _____
Piece(s) _____
 1 2 3 _____
(Other)



Grommet Spacing (Check One)

- Regular (Approximately Every 12")
 Special _____

Fabric Type

- Fire Retardant
 Non Fire Retardant
 Color _____
 Other _____

2. Custom Feature Available.....

Such As:

- Velcro Doors _____
 Clear Panels _____
 Wind Relief Valves _____
 Other _____

ETP

ENGINEERED TEXTILE PRODUCTS, INC.

P.O. Box 7474 • 715 Loeffler Street • Mobile, Alabama 36670
251/476-8001 • 800/222-8277 • Fax 251/476-0956 • sales@etpinfo.com • www.etpinfo.com

INDUSTRIAL CURTAIN TROLLEYS

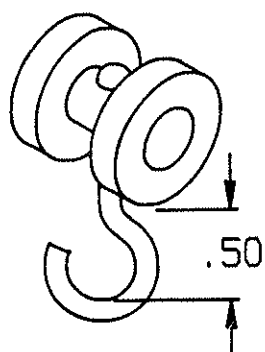
Trolleys are available in both nylon wheels and steel ball bearing wheels. Nylon wheels roll better with extremely light curtains. When the curtain weight exceeds 100 pounds or the curtain height is over 15 feet steel ball bearing wheels should be used to allow the curtain to roll easily and close more fully.

Two wheel trolleys with bumpers should be used in applications where the wheels of consecutive bumperless trolleys would rub together with enough force to resist free and easy rolling action. Normally the stiffness of the curtains top hem is sufficient to push the curtain along. One situation where trolleys with bumpers are needed is when the curtain is suspended by chain from a track mounted to a high ceiling.

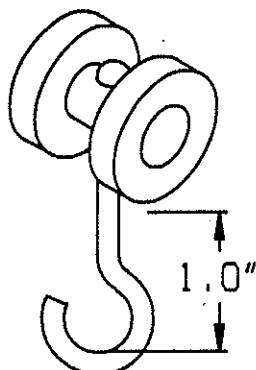
Four wheel trolleys roll more easily than two wheel trolleys on heavy curtains that receive rough handling.

The overlapping trolleys are used when an opening in the center of the doorway is desired. When used with curves the overlap must be on the outside of the curve.

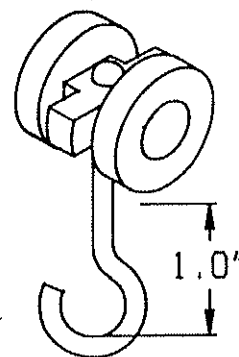
Pull rope trolleys should be used on curtains higher than eight feet. They are used to prevent fabric damage caused by tugging on the material and they allow the curtain to close more fully. Polypropylene hollow braid rope with a 3/8 inch diameter is used. There are two holes on each end of the pull rope trolley. This allows consistent curtain grommet positioning with either the 1/2 inch or 1 inch trolley hooks. A screw, nut and 1 1/4 inch outside diameter washer are provided for securing the curtain to this trolley. The lead trolley hole should be secured to the curtain to allow the curtain to close more fully.



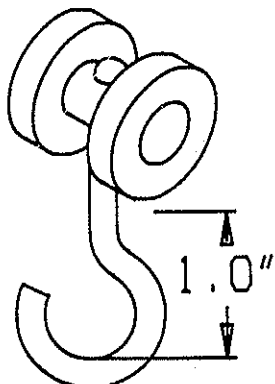
16NR1/2 Trolley Nylon Wheels



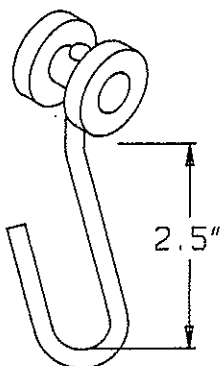
16NR1 Trolley Nylon Wheels



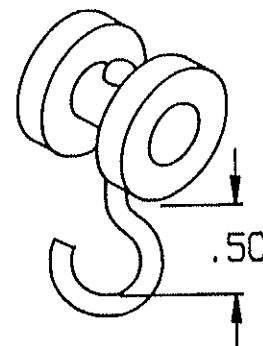
16NR1B Trolley w/Bumpers Nylon Wheels



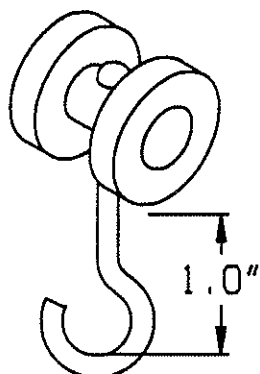
16NR1(1/4) Trolley Nylon Wheels



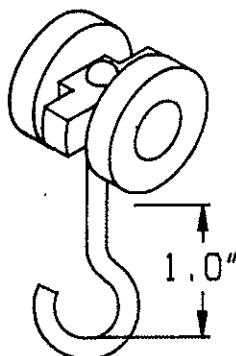
16NR2-1/2(1/4) Trolley Nylon Wheels



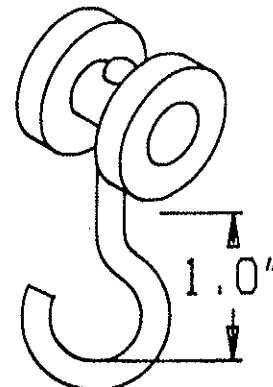
16SR1/2 Trolley Steel Wheels



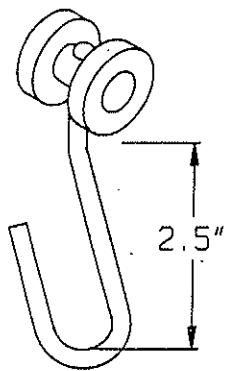
16SR1 Trolley Steel Wheels



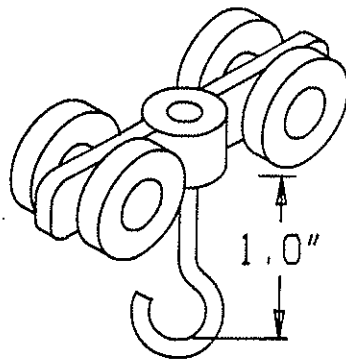
16SR1B Trolley w/Bumpers Steel Wheels



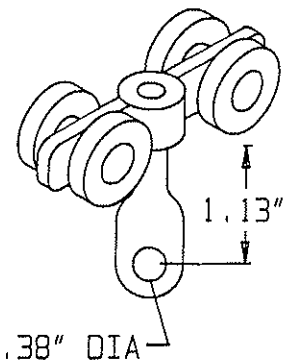
16SR1(1/4) Trolley Steel Wheels



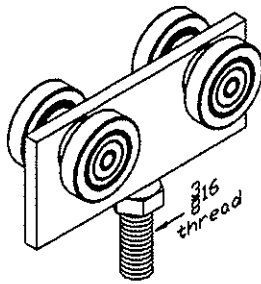
16SR2-1/2(1/4) Trolley Steel Wheels



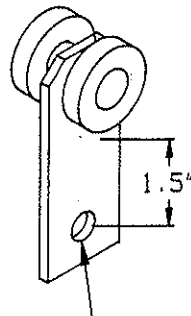
16ST1 Trolley Steel Wheels



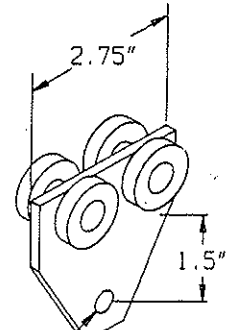
.38" DIA
16STHD Trolley Steel Wheels



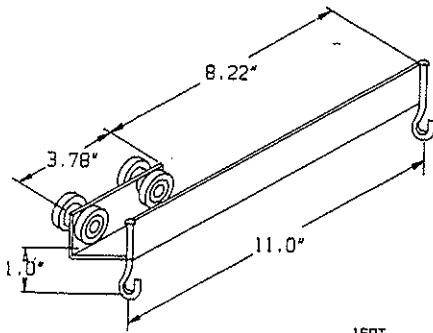
16STS Trolley Steel Wheels



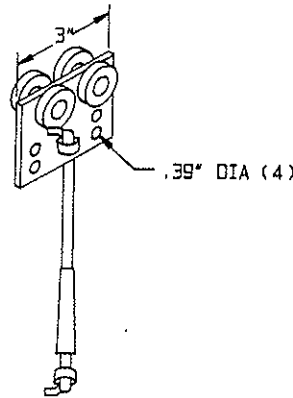
.38" DIA
16SR Trolley Steel Wheels



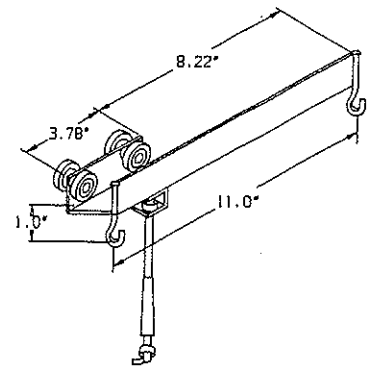
.38" DIA
16ST Trolley Steel Wheels



16OT Overlapping Trolley Steel Wheels



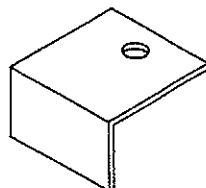
B3427-4 4'0"
Pull Rope Trolley Steel Wheels



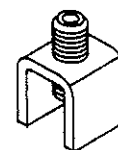
B3491-4 4'0"
Overlapping Trolley w/Pull Rope Steel Wheels

■ END STOPS

End Stops are used to prevent trolleys from rolling out of the ends of the track system. The 16ES End Stop is bolted to the hole at the top of the 16RT Roller Track. The ES End Stop slides in from the end of the track. The two legs of the ES End Stop fit in the two rolling surfaces of the track. The ES will close track to rollers in all fittings and at any point at or away from the end of the track. This can be put in a ceiling mounted track from the underside without requiring the track to be lowered. A 3/16 inch hex key tightens the ES End Stop.

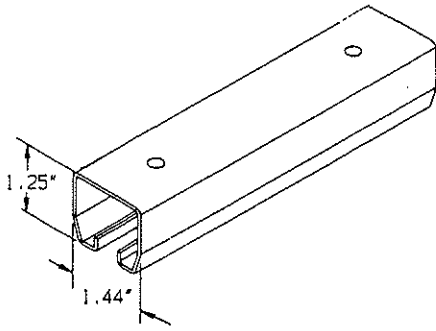


16ES END STOP



ES END STOP

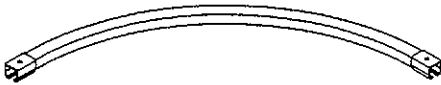
■ UNMOUNTED TRACK & ACCESSORIES



The roller track is roll formed from 16 gauge hot dipped galvanized steel. The trolley wheels roll on the track floor between the outside track wall and the inside safety flange. The safety flange formed toward the inside of the track provides better wheel guidance than track without this extra flange. The ends of the track are punched so that the track splices can lock two adjoining track ends together. The beveled entry combined with the downward aligning pressure from the track splices provide a very smooth transition across the track joint.

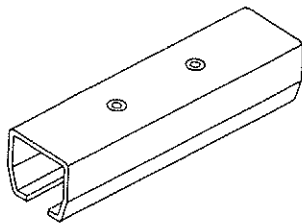
Stock track lengths are 10 feet and 20 feet. Consult factory if other lengths are desired.

		Length
ROLLER TRACK	16RT-120	10'0"
ROLLER TRACK	16RT-240	20'0"



16CT CURVED TRACK

The standard curve has end connectors for securing to adjacent sections of 16RT Roller Track. The standard curves have a 2 foot radius and are 90 degrees. Consult factory if larger radius curves are required.



16TS TRACK SPLICE

The track splice is used to secure two straight sections of track together.

■ TRACK SUPPORT HARDWARE: OVERVIEW

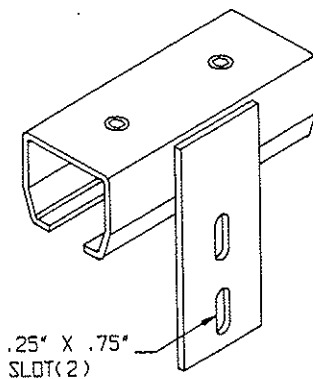
The splices, curves and end mounts have half dog set screws that lock into a hole in the end of the track (use a 3/16 inch hex key). The screw pushes the track against the bottom of the splice providing a very smooth alignment between the rolling surfaces on the two adjoining sections of track. These splices make the installation quicker because the smooth transition between track sections is achieved so easily. Smooth transitions between track sections will extend the vinyl strip and curtain life by eliminating hangups at splice points which decreases tugging on the material.

The track brackets used between splice points open up to eliminate the time consuming process of sliding the bracket over the track to the point where the track is supported. The track can be attached to the brackets before or after the support brackets are attached to the mounting surface. These track brackets fit over both straight track and curved track.

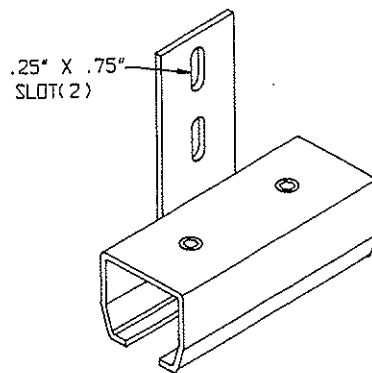
Please see the enclosed track capacity and deflection charts at the end of this brochure.

■ WALL & END MOUNT HARDWARE

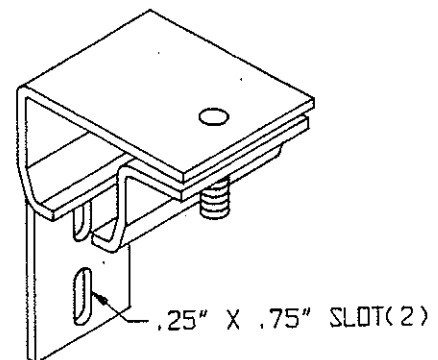
Wall mount hardware is used when the track system is running adjacent to a wall. The wall mount down is used to mount track at the ceiling level. The wall mount up is used to mount track just above door openings. The end mounts are used when the track is perpendicular to a wall and the end of the track is flush with the wall.



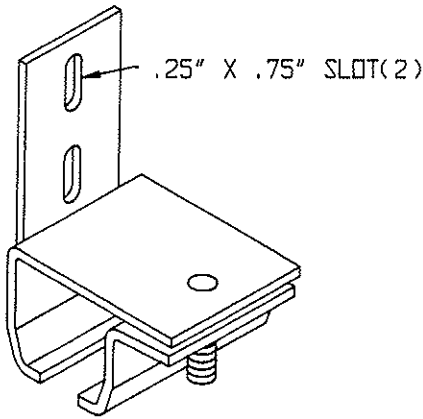
16TSWMD Track Splice
Wall Mount Down



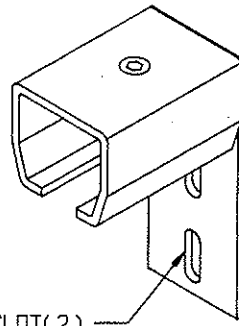
16TSWMU Track Splice
Wall Mount Up



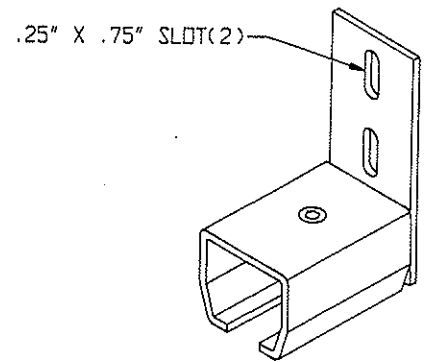
16TBWMD Track Bracket
Wall Mount Down



16TBWMU Track Bracket
Wall Mount Up



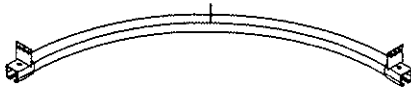
16EMD End Mount Down



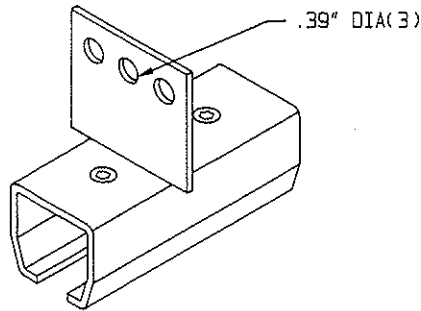
16EMU End Mount Up

■ BEAM OR CHAIN SUPPORT HARDWARE

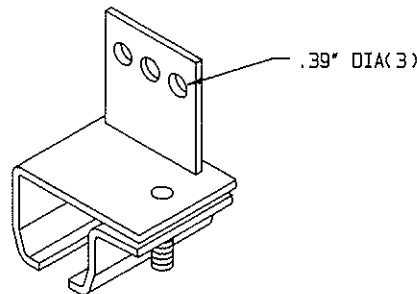
These supports can be bolted to a beam or the side of a small bar. When there are no easily accessible structures near the track, a chain and s-hook assembly can be secured to a structure near the ceiling of the building and significantly above the track system.



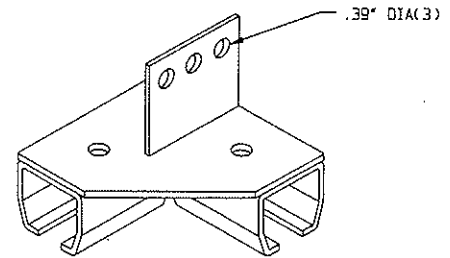
16CT3V CURVED TRACK VERTICAL



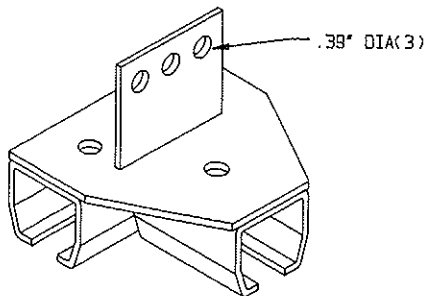
16TSV Track Splice Vertical



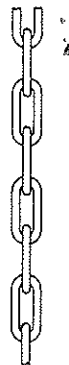
16TBV Track Bracket Vertical



16TBRAV Track Bracket
Right Angle Vertical

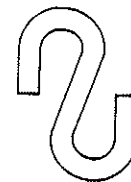


16TB3WV Track Bracket
3 Way Vertical



A1083-2 #2/0 Chain

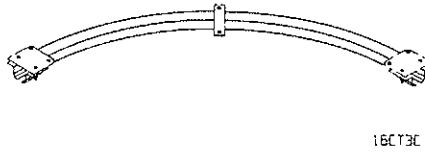
A1083-1



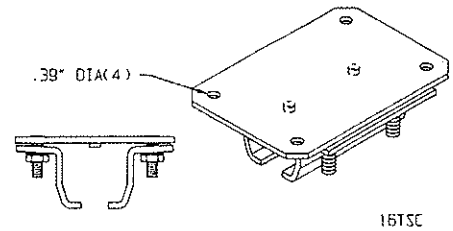
B1137-1 3/16" S-Hook

■ CEILING SUPPORT HARDWARE

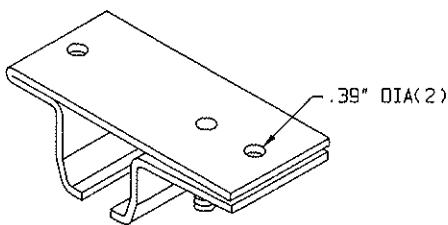
Track can be attached to the ceiling support hardware either before or after it is secured to the ceiling. There are no screws or nuts to hold the track in place protruding above the mounting plates. This eliminates the need for spacers or clearance holes in the ceiling. Ceiling support mounting plates (except the 16TBC) have bosses to lock the track to the ceiling support mounting hardware. When the 16TB3WC is used at the center of a length of track, flatten the bosses that are provided for securing the track ends.



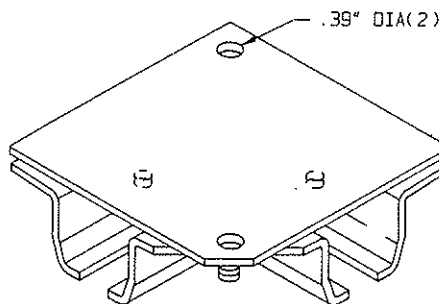
16CT3C Curved Track Ceiling



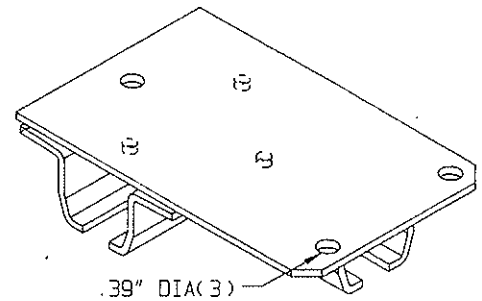
16TSC Track Splice Ceiling



16TBC Track Bracket Ceiling



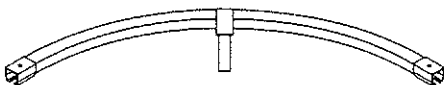
16TBRAC Track Bracket
Right Angle Ceiling



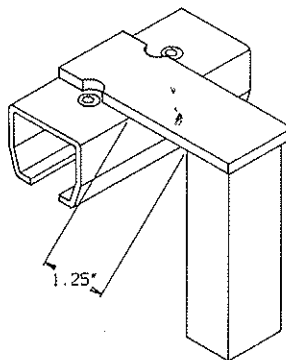
16TB3WC Track Bracket
3 Way Ceiling

■ FLOOR SUPPORT HARDWARE

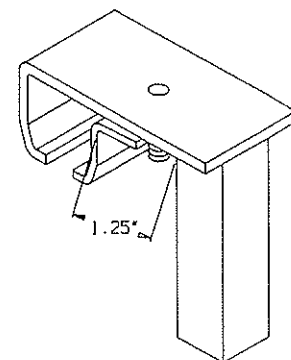
This hardware lets you support the track and universal mount strip door hardware from the floor. The B2367-1 Splice/Floor Support and B941-1 Corner Floor Support are used with the universal mount strip door hardware. The A256-* columns are 1-1/4 inch square by 12 gauge wall tubes. The A256-* columns telescope over the tubes on the track supports and base plates. The BS12 Base Plates are 12 inch squares and are made from 1/4 inch thick plates. The BS6 Base Plates are 6 inch squares and are made from 3/16 inch thick plates.



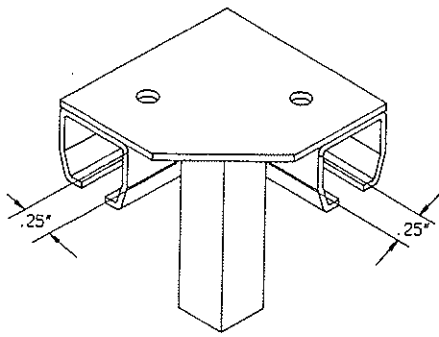
16CTF Curved Track Floor



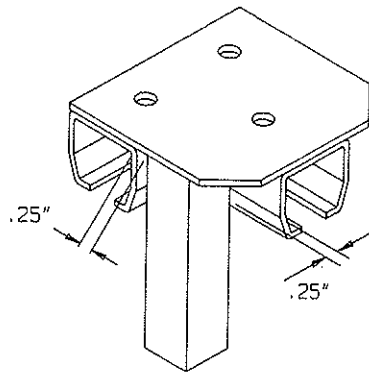
16TSF Track Splice Floor



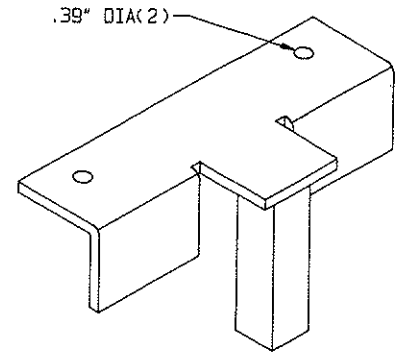
16TBF Track Bracket Floor



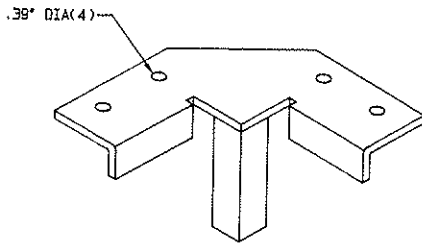
16TBRAF Track Bracket
Right Angle Floor



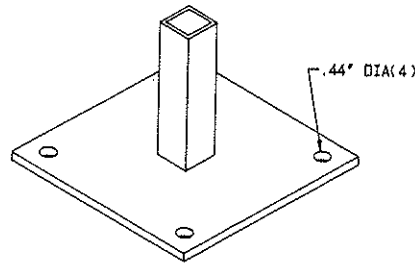
16TB3WF Track Bracket
3 Way Floor



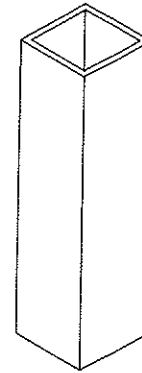
B2367-1 Splice/Floor Support



B941-1 Corner Floor Support



BS6 Base Plate, 6"x 6"x 3/16"
BS12 Base Plate, 12"x 12"x 1/4"

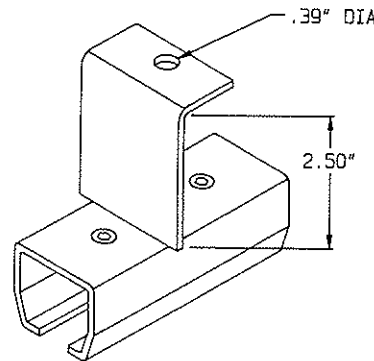


A256-6 6'0"
A256-8 8'0"
A256-10 10'0"

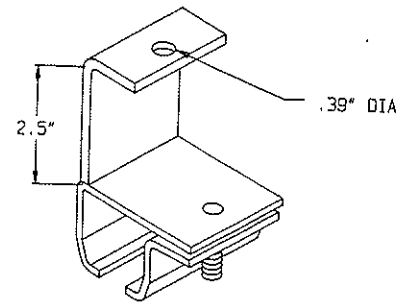
A256-7 7'0"
A256-9 9'0"
COLUMN

■ THREADED ROD SUPPORT HARDWARE

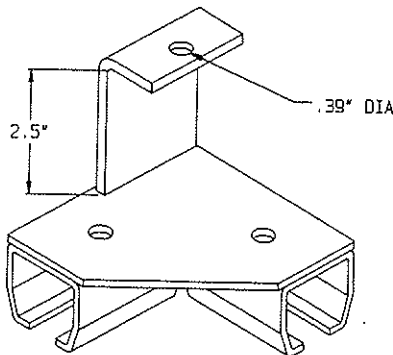
When there are no easily accessible structures near the track a threaded rod assembly can be secured to these supports. The threaded rod can be secured to a structure near the ceiling of the building and significantly above the track system. The A3242-1 coupling nut is used to secure two adjacent lengths of threaded rod. The 16TBTR Track Bracket Threaded Rod can be secured to a 16CT Curved Track when curved systems are used. The A3120-2 Edge Clamp is used to secure threaded rod to the edge of a roof truss section, beam or channel.



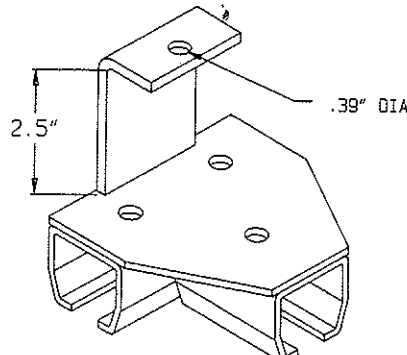
16TSTR Track Splice Threaded Rod



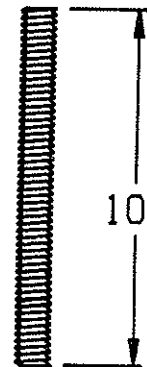
16TBTR Track Bracket Threaded Rod



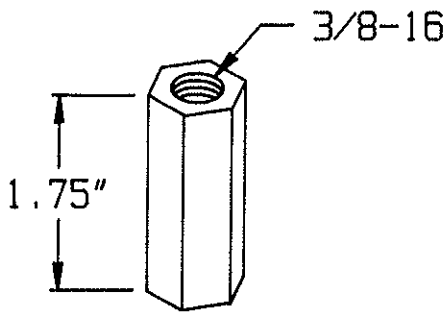
16TBTRATR Track Bracket
Right Angle Threaded Rod



16TB3WTR Track Bracket
3 Way Threaded Rod



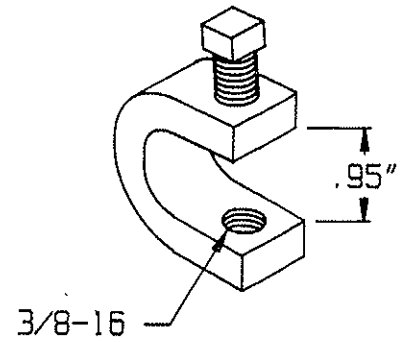
A3238-10 Threaded Rod 3/8 x 16
10 Feet Long



A3242-1 Coupling Nut



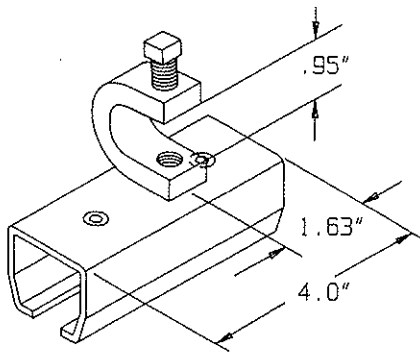
N3/816CZ Nut



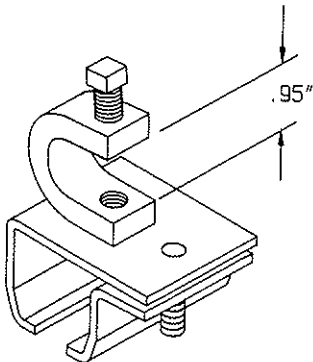
A3120-2 Edge Clamp

■ BEAM FLANGE SUPPORT HARDWARE

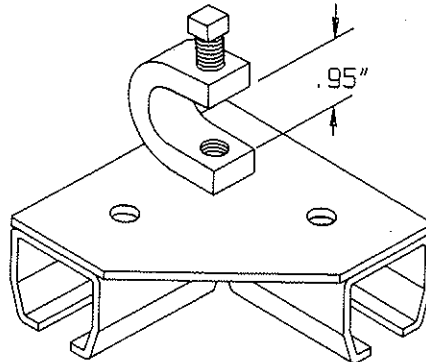
Flange support hardware is available to permit attachment with edge clamps and set screws to edges of roof truss sections, beams and channels. The edge clamps can be rotated for alignment to the supporting structure. No drilling is necessary. The 16TBEC Track Bracket Edge Clamp can be secured to a 16CT Curved Track when curved systems are used.



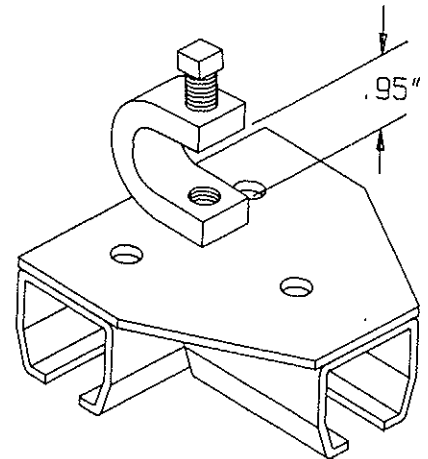
16TSEC
Track Splice Edge Clamp



16TBEC Track Bracket Edge Clamp



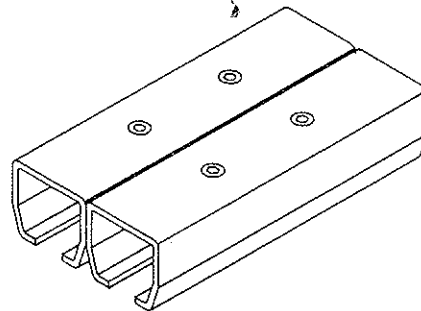
16TBRAEC Track Bracket
Right Angle Edge Clamp



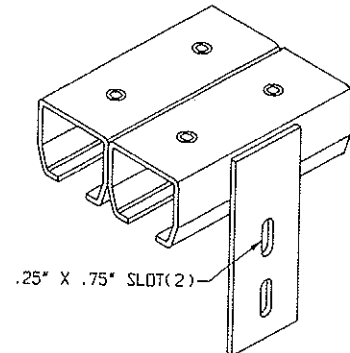
16TB3WEC Track Bracket
3 Way Edge Clamp

■ DOUBLE TRACK SUPPORT HARDWARE

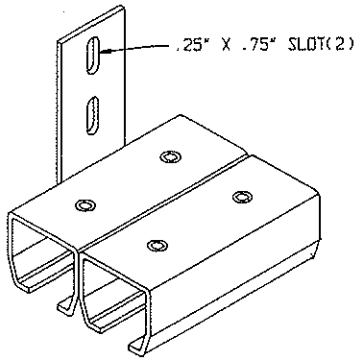
The following parts are available for double track systems. When end mounts are needed use two 16EMD End Mount Downs or 16EMU End Mount Ups adjacent to each other. Consult factory if other double track support hardware is required.



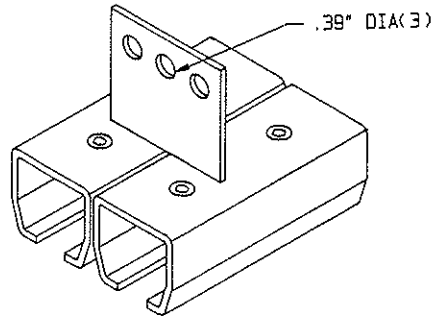
16TSDBL Track Splice



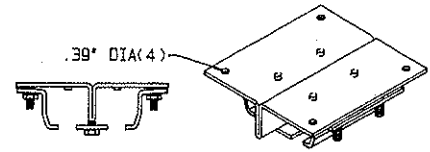
16TSWMDDBL Track Splice
Wall Mount Down



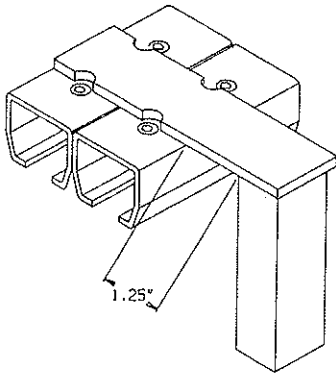
16TSWUDBL Track Splice
Wall Mount Up



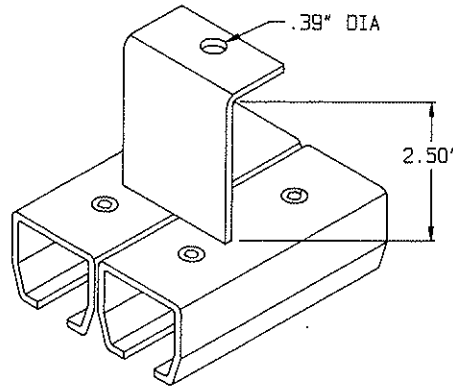
16TSVDBL Track Splice Vertical



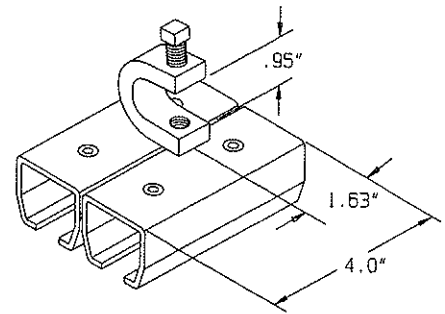
16TSCDBL Track Splice Ceiling



16TSFDBL Track Splice Floor



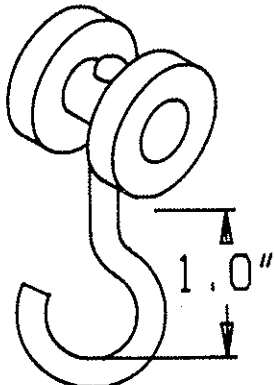
16TSTRDBL Track Splice
Threaded Rod



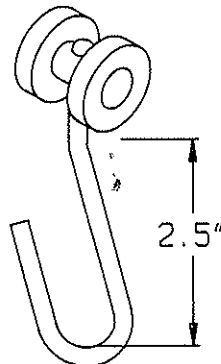
16TSECDBL Track Splice
Edge Clamp

HEAVY DUTY CURTAIN HARDWARE

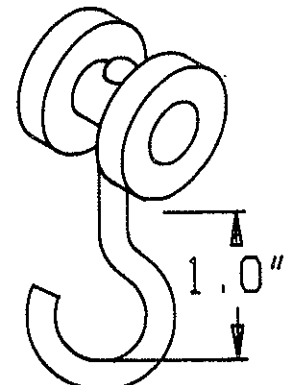
Heavy duty hardware should be used when the curtain material is very heavy or when an extra safety factor is desired. The roller track is roll formed from 12 gauge hot dipped galvanized steel. You can increase your support spacing to decrease the number of support points and save installation time. Please see the enclosed track capacity and deflection charts at the end of this brochure. The 12 gauge curves have a 2 foot 3 inch radius and a 6 inch straight section of track at each end. The following parts are stock items. Many items previously shown (e.g. ES End Stop) can be used with the heavy duty curtain hardware. Consult factory if other heavy duty hardware is required.



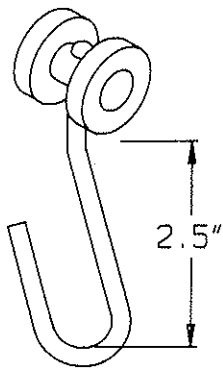
12NR1(1/4) Trolley Nylon Wheels



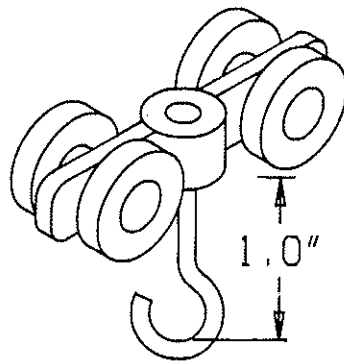
12NR2-1/2(1/4) Trolley Nylon Wheels



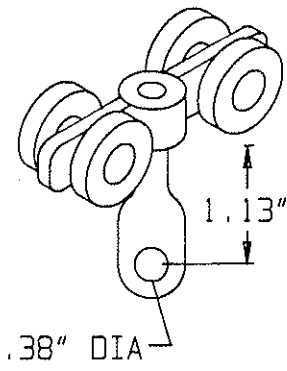
12SR1(1/4) Trolley Steel Wheels



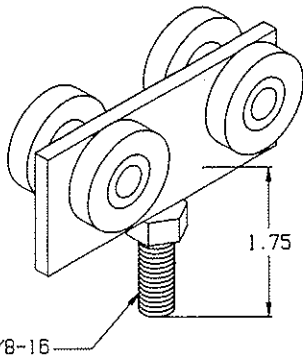
12SR2-1/2(1/4) Trolley Steel Wheels



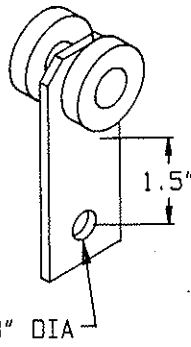
12ST1 Trolley Steel Wheels



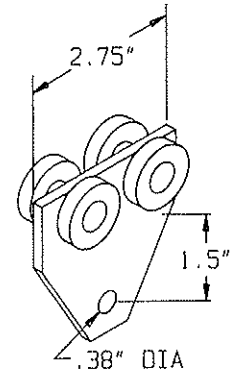
12STHD Trolley Steel Wheels



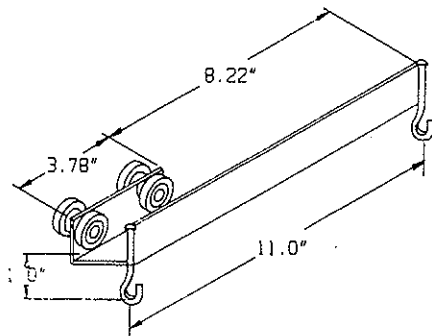
12STS Trolley Steel Wheels



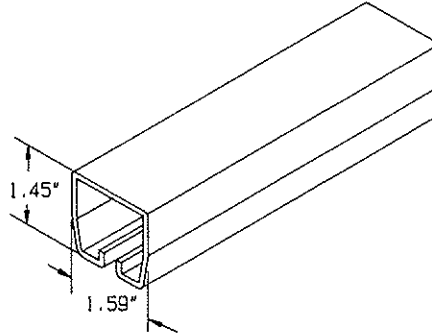
12SR Trolley Steel Wheels



12ST Trolley Steel Wheels



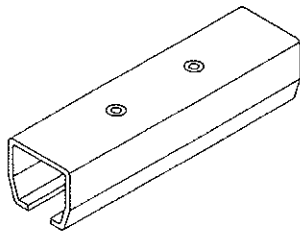
12OT Overlapping Trolley Steel Wheels



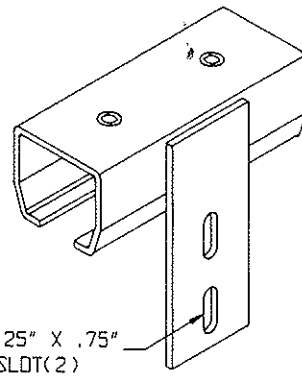
12RT-120 12RT-240 Roller Track



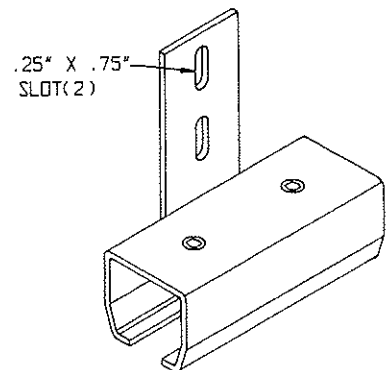
12CT Curved Track 90° Bend



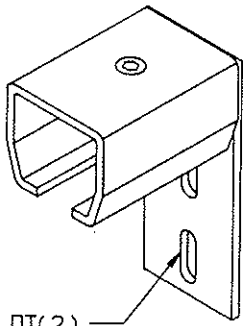
12TS Track Splice



12TSWMD Track Splice
Wall Mount Down

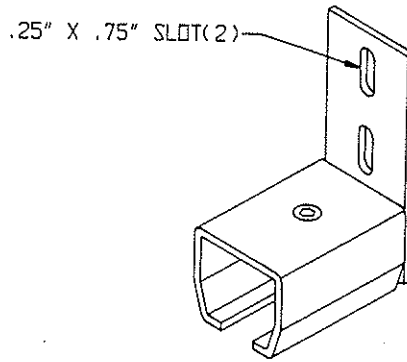


12TSWMU Track Splice
Wall Mount Up

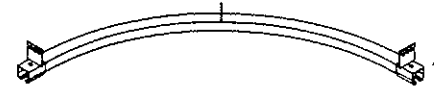


.25" X .75" SLOT(2)

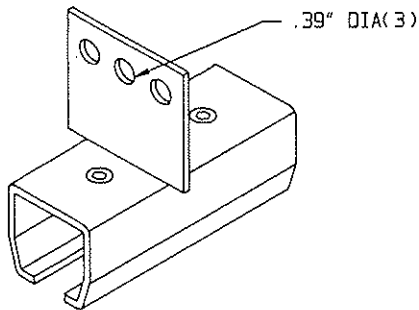
12EMD End Mount Down



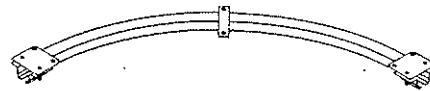
12EMU End Mount Up



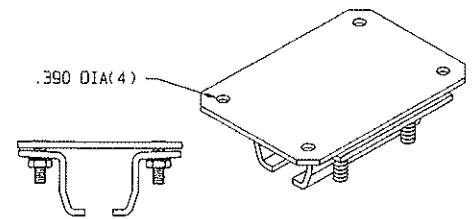
12CT3V Curved Track 90° Bend



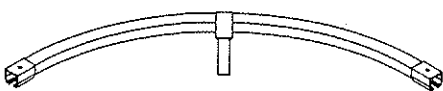
12TSV Track Splice Vertical



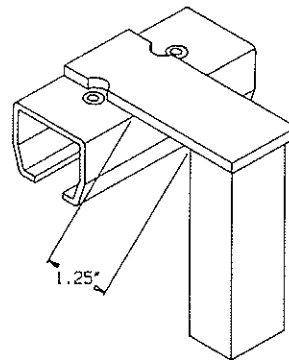
12CT3C Curved Track Ceiling Mount 90° Bend



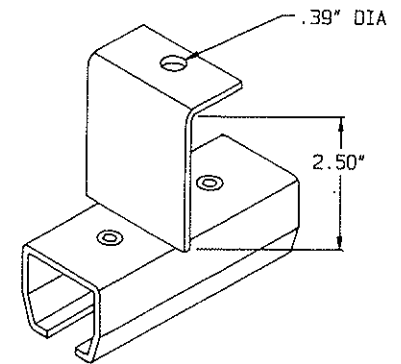
12TSC Track Splice Ceiling Mount



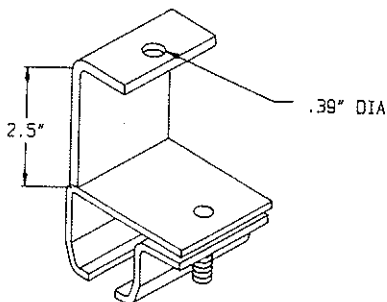
12CTF Curved Track Floor 90° Bend



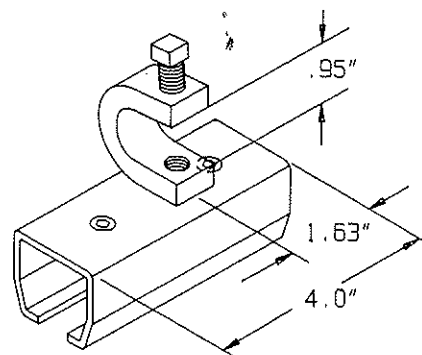
12TSF Track Splice Floor



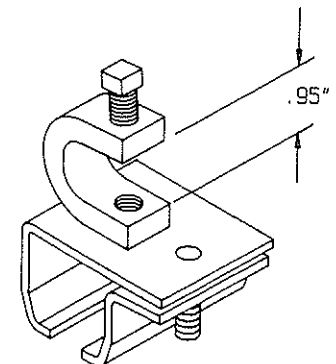
12TSTR Track Splice Threaded Rod



12TBTR Track Bracket Threaded Rod



12TSEC Track Splice Edge Clamp



12TBEC Track Bracket Edge Clamp